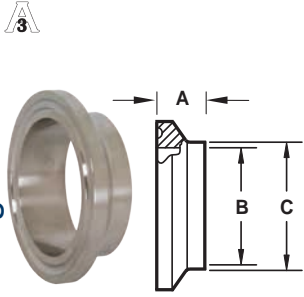


Q-Line - Ferrules

Weld - 14WQ

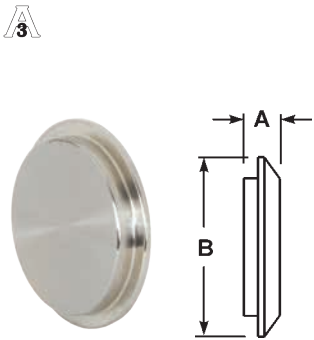
Sanitary Fittings



Tube OD	Dimensions			304 Stainless Steel Part #
	A	B	C	
1"	.531"	.870"	1.000"	14WQ-G100
1½"	.563"	1.370"	1.500"	14WQ-G150
2"	.813"	1.870"	2.000"	14WQ-G200
2½"	.938"	2.370"	2.500"	14WQ-G250
3"	.938"	2.870"	3.000"	14WQ-G300
4"	1.000"	3.834"	4.000"	14WQ-G400

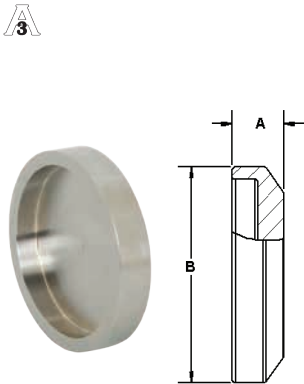
I-Line / Q-Line - End Caps

Male Solid - 16AI-14I



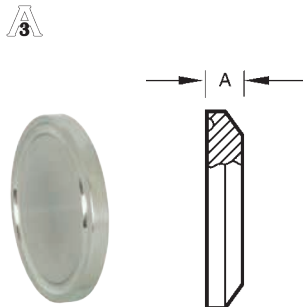
Tube OD	Dimensions		304 Stainless Steel Part #	316L Stainless Steel Part #
	A	B		
1"	.500"	1.985"	16AI-14I100	16AI-14I100R
1½"	.500"	1.985"	16AI-14I150	16AI-14I150R
2"	.562"	2.640"	16AI-14I200	16AI-14I200R
2½"	.750"	3.307"	16AI-14I250	16AI-14I250R
3"	.750"	3.870"	16AI-14I300	16AI-14I300R
4"	.750"	4.870"	16AI-14I400	16AI-14I400R
6"	.750"	7.495"	---	16AI-14I600R
8"	.800"	9.495"	---	16AI-14I800R

Female Solid - 16AI-15I



Tube OD	Dimensions		304 Stainless Steel Part #	316L Stainless Steel Part #
	A	B		
1"	.500"	1.985"	16AI-15I100	16AI-15I100R
1½"	.500"	1.985"	16AI-15I150	16AI-15I150R
2"	.562"	2.640"	16AI-15I200	16AI-15I200R
2½"	.750"	3.307"	16AI-15I250	16AI-15I250R
3"	.750"	3.870"	16AI-15I300	16AI-15I300R
4"	.765"	4.870"	16AI-15I400	16AI-15I400R
6"	.869"	7.495"	---	16AI-15I600R
8"	.800"	9.495"	---	16AI-15I800R

Solid - 16AQ



Tube OD	Dimension A	304 Stainless Steel Part #
1"	.313"	16AQ-G100
1½"	.313"	16AQ-G150
2"	.438"	16AQ-G200
2½"	.500"	16AQ-G250
3"	.500"	16AQ-G300
4"	.625"	16AQ-G400